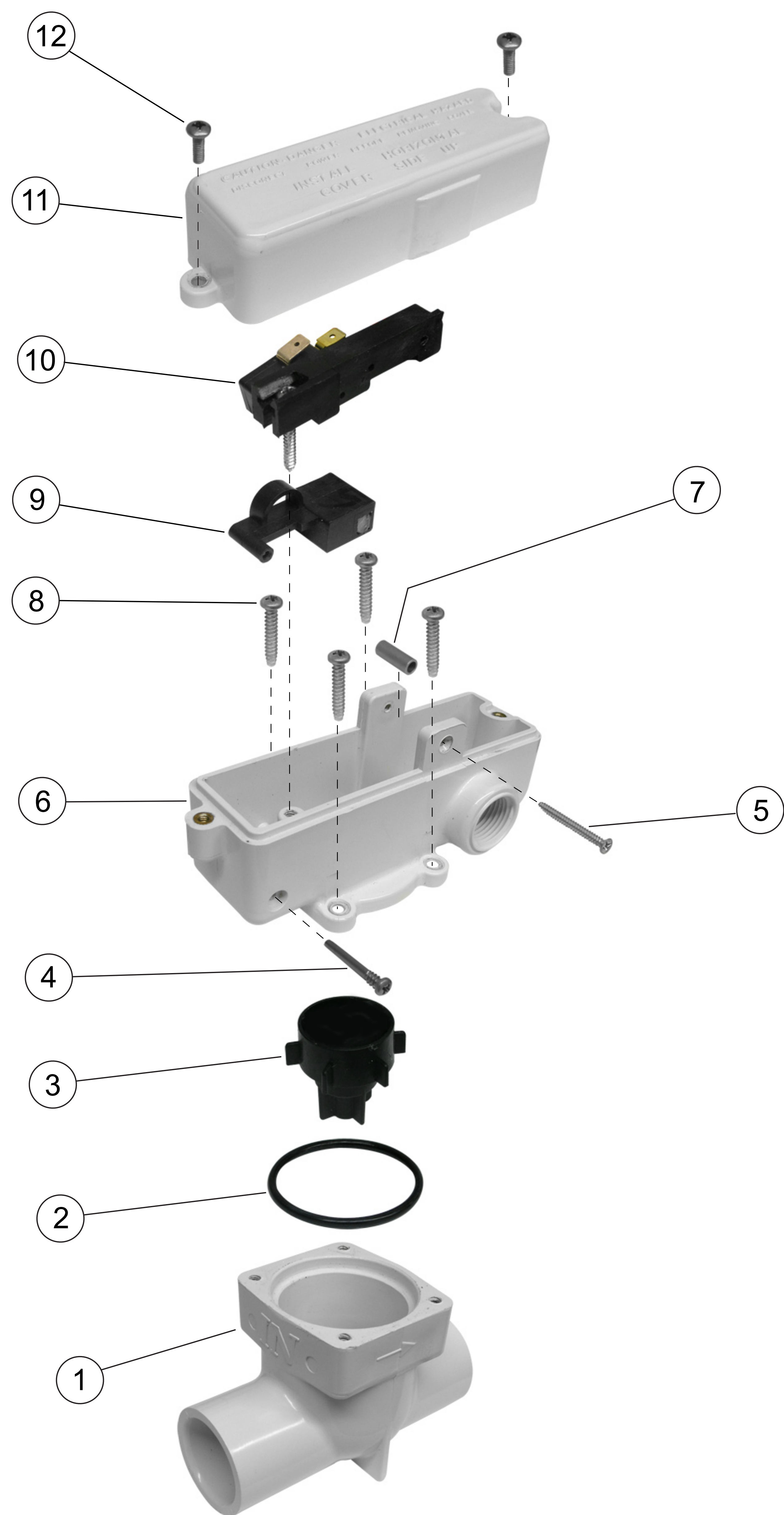


COMPLETE UNIT:
ITEM # 57-F4-3100-00W

NOTES:
 10 AMP/SINGLE POLE
 1" SOCKET CONNECTION
 CALL FOR PARTS AVAILABILITY.



KEY	ITEM #	DESCRIPTION	MFG. #
	1	310 BODY ASSY	67-F1-3101-WHT
	2	310 O-RING	21-A2-0225-000
	3	310 PLUNGER ASSY	67-F1-3106-200
	4	SM FLAPPER SCREW	33-F1-2207-000
	5	SWITCH PIV SCREW	33-F1-2207-000
	6	UPPER BODY ASSY	67-F1-3102-WHT
	7	SPACER	H4-95-0012-010
	8	HOUSING SCREW	H2521016-100
	9	SMALL FLAPPER	67-F1-3105-200
	10	310 BRACKET/ W SWITCH ASSY	67-F1-3104-000
	11	310 BODY COVER	31-F1-3103-WHT
	12	COVER SCREW	H1-00-0832-008